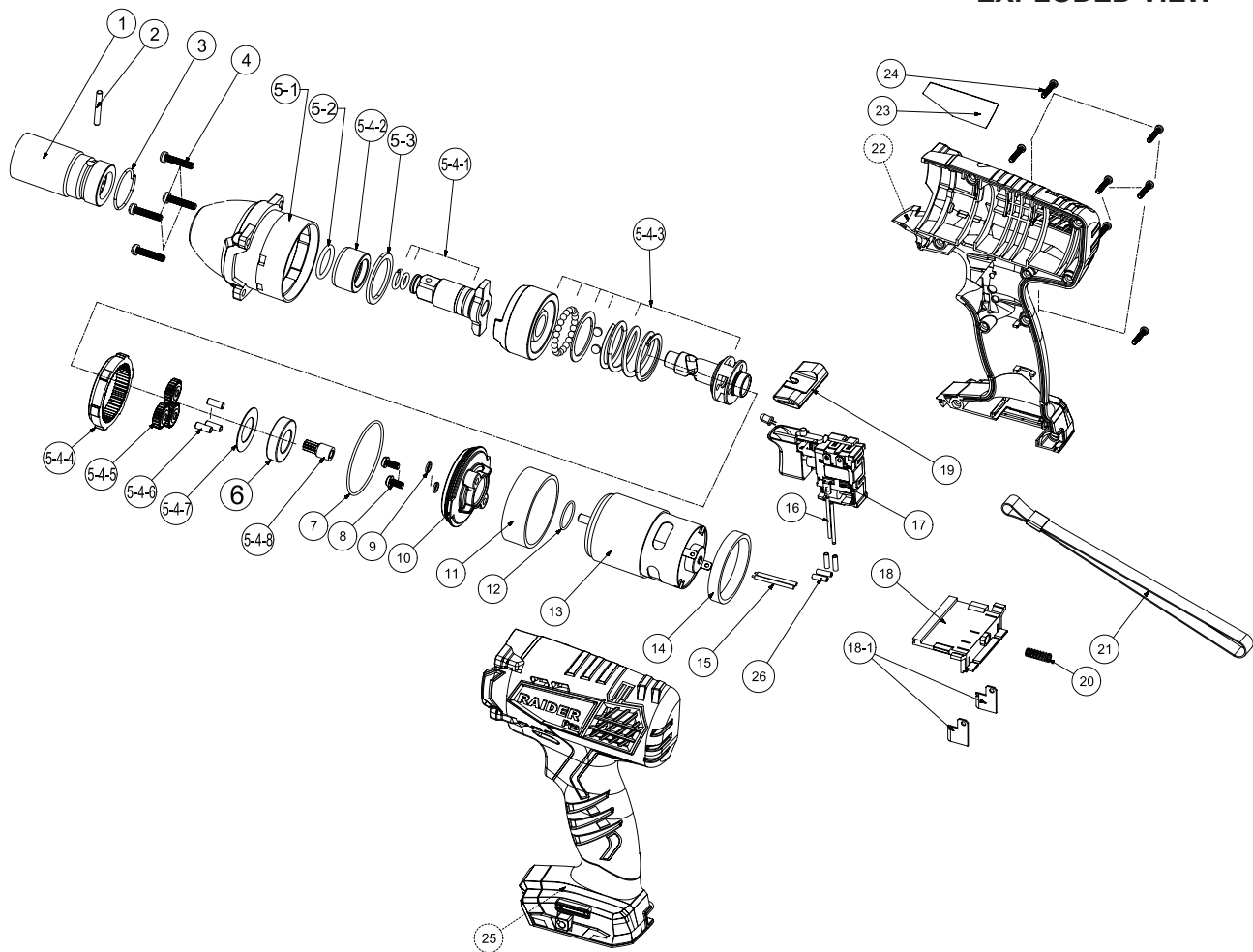


# EXPLODED VIEW



## SPARE PARTS LIST

No	Description	Qty	(Spec.)
1	Socket	1	Surface electrophoresis treatment L-59MM
2	axle Pin	1	Φ3 * 25
3	O-Ring	1	Φ23.5 * 3.5 / black
4	ST Screw ST4*14	4	ST4 * 14 cross pan head
5	Gear Case Assy	1	Alloy head + shaft sleeve + O ring
5-1	Gear Case	1	Aluminum A380 / Silver paint
5-2	O-Ring Φ22*1.9	1	Φ22 * 1.9
5-3	Bush Φ26*Φ18*14.5	1	Φ26 * Φ18 * 14.5
6	Washer	1	Φ29 * Φ16.5 * 2.5 / PA66 + 30GF / Natural
7	Output Shaft Assy	1	Output shaft + O-ring + circlip
7-1	C-Ring	1	Φ13.5 * 2.2
7-2	O-Ring	1	Φ11 * 2
7-3	Output Shaft	1	20CrNiMo
8	Harmmer Assy	1	hammer + spring + shaft
9	Ring Gear	1	m0.75z50 / 20Cr
10	Planetary Gear	3	m0.75z21
11	Pin Shaft	3	Φ4 * 10.5
12	Washer	1	Φ29 * Φ16.5 * 0.5
13	Ball Bearing	1	6902-2RS id15 * OD28 * 7
14	O-Ring	1	NBRΦ46 * 1.5
15	Screw M4*8	2	M4 * 8 Phillips Flat Head Screw Black Nickel
16	Spring Washer	2	Φ32 * 21 / 65Mn / blackened surface / H10406
17	Motor Bracket	1	PA6 + 30GF
18	Motor Sleeve	1	ID40.8OD46W7
19	O-Ring	1	NBRΦ16.5 * 1.2
20	Motor Assy	1	
20-1	Motor	1	18VDC / RS775HP-7020 / 14200RPM HL 18V / DC / MOTOR / SW-RS775-6520 18VDC, 775 motor 14000RPM
20-2	Motor Pinion	1	m0.75z7L20.5
21	Motor Sleeve	1	ID40.8OD46W7
22	Lead Wire	2	3266, 16 # L = 90mm black, red L = 110mm two colors
23	Lead Wire	2	3266, 16 # L = 120mm black, red L = 110mm two colors
24	Variable Switch	1	SF8L403, 18VDC, 15A, E5, Jinye Model JV08-1B-2 DC18V / 25A 5E4 single finger HT switch with protection
25	Terminal Holder	1	PA6 + 30GF / with positive and negative pin
26	F/R Button	1	SFB306 / PA6 + 30GF / black
27	Spring	1	SWCΦ5 * Φ0.6 * 13.8
28	Lanyard	1	200 * 11 / iron buckle / black
29	Housing Cover	1	SF8L403 / PA6 + 30GF ** color coated black TPE
30	Data Label	1	SF8L40301 Sanfun